

VistaSystem – the system solution for digital diagnostics

Everything you need for exceptional image quality – from a single source:



Dürr Dental – digital expertise for better diagnosis

For over 50 years dentists, clinics and X-ray centres around the world have been using innovative products from Dürr Dental and benefiting from our expertise in X-ray systems. During this period, our customers have taken around ten billion images with our imaging devices. Today, VistaSystem – our complete programme for digital diagnostics – is synonymous with outstanding image quality from a single source.

X-ray units, image plate scanners and intraoral camera systems from Dürr Dental ensure the best diagnosis options thanks to

unrivalled image sharpness, maximum user friendliness and highest efficiency. Furthermore, our powerful imaging software perfectly links up all the components of VistaSystems.

Not content with providing outstanding products with award-winning designs, Dürr Dental also offers comprehensive services for your customised X-raying solution. Let us know what your requirements are – we will be glad to advise.

Testimonies from satisfied dentists:



Dr Trevor Morris, Australia

“We have been using Dürr VistaScan for our intraoral X-ray images since 2005. This system provides the same flexibility and ease of use as conventional X-ray methods. The processing time fits well with our treatment procedures, and the quality and durability of both the image plates and the device itself have reduced ongoing costs. Overall, we have been extremely happy with the performance.”



Dr Heda Dengel, Germany

“I am really impressed with the image quality and speed of VistaPano. It delivers OPG images in just seven seconds that clearly show the roots of the front teeth, bone levels, maxillary sinuses and even caries in molars. Thanks to the clarity of the images, I normally don’t need a second image taken with intraoral film – which means a significantly reduced radiation dose for the patient and a much, much easier workload for me.”



Dr Amit Patel, UK

“I have been using VistaScan since 2012 and VistaCam since 2009. This equipment saves us a huge amount of time and money. I must admit, the conversion of our systems from film to digital radiology was very easy.”



Start video

The video will give you a guided tour of our factory and provide you with exclusive insight into our production facility.



With all Dürre Dental products, sustainability is embedded in the product lifecycle management in development. We develop products that are designed for a long service life and – wherever possible – we make sure that they can be repaired in the field. We do our best to reduce power consumption – for example, VistaScan Mini View 2.0 consumes 37% less power than its predecessor VistaScan Mini.



We are proud that our production site in Gechingen has been CO₂ neutral since the start of 2023 (Scope 1 and Scope 2). The measures we have taken to make our production CO₂ neutral include a range of improvements – including moving our heating systems to renewable systems, generating electricity with our own photovoltaic systems, making improvements to walls, ceilings and windows in terms of energy efficiency, and switching over our vehicle fleet to electric vehicles.

VistaSoft AI included

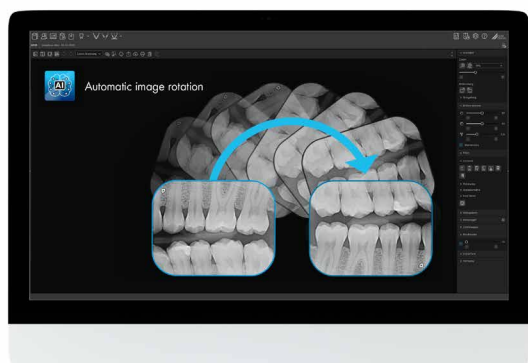
The imaging software for digital workflows in dental practices



Website

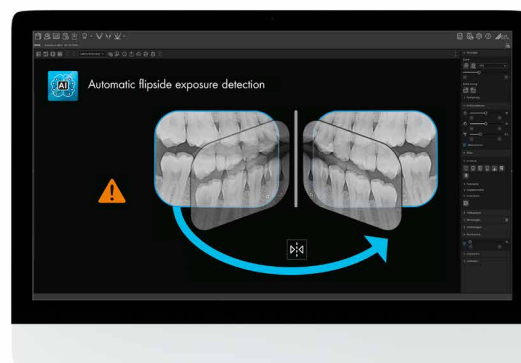


From acquiring and editing digital X-ray images and camera images to sharing images via the cloud and planning implants and drilling templates – VistaSoft brings together all of the different areas of dental imaging.



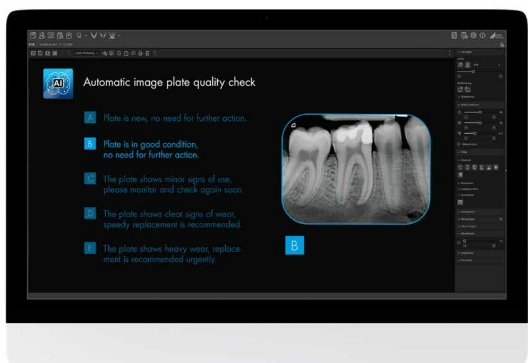
Automatic image rotation

The imaging software uses an algorithm based on artificial intelligence to check the orientation of intraoral X-ray images with the aid of anatomical features shown and corrects the rotation of the image automatically if needed. This will save you valuable time.



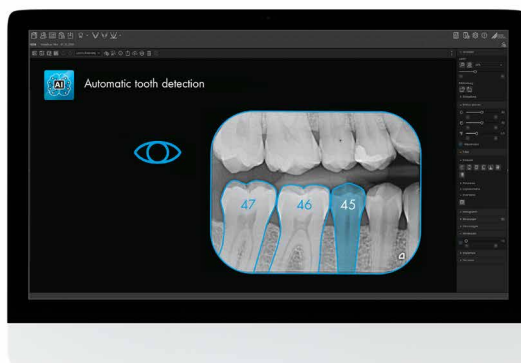
Automatic flipside exposure detection

VistaSoft AI automatically detects if the wrong side of the image plate has been exposed, and issues a corresponding warning for the user.



Automatic checking of image plate quality

In the process, the system assesses the condition of the image plate with the help of AI and automatically recommends its replacement if necessary to ensure that image quality remains consistently high at all times.



Automatic tooth detection

With the aid of artificial intelligence, all the teeth captured in the image are automatically detected and saved in the dental chart.



VistaSoft functions

VistaSoft X-ray

VistaSoft X-ray is compatible with all current X-ray and scanner systems from Dürr Dental. The module enables fast and reliable use of digital X-ray systems with highest image quality.

VistaSoft 3D

VistaSoft 3D offers different views for your diagnosis of CBCT images: pano views, transversal layer images (TSA) and multiplanar reconstruction (MPR).

VistaSoft Video

Easily control all current camera systems from Dürr Dental.

VistaSoft Inspect

Easily perform monitor tests, acceptance tests and consistency tests.

VistaSoft DICOM Starter

The DICOM interface from VistaSoft makes it easy to receive patient data from or transmit images to DICOM systems.

VistaSoft Implant & Guide

With VistaSoft Implant, you have access to a state-of-the-art tool for complete pre-surgical implant planning.

VistaSoft Cloud

VistaSoft Cloud provides the perfect platform for sharing images easily and efficiently with colleagues, laboratories, clinics or patients.

VistaSoft Cloud View

All dental images can be quickly shared, easily viewed and temporarily modified in the browser.

SICAT

With SICAT Implant 2.0 your implant planning is now even easier than before. You can order SICAT drill templates directly from the software to put your implant plans straight into practice.

VistaSoft Trace

With the aid of innovative and extensive tools using artificial intelligence, cephalometric analyses can be completed within a few seconds using VistaSoft Trace. This user-friendly software add-on identifies reference points and soft tissue silhouettes automatically and plots them on the X-ray image.

3Shape

The collaboration between Dürr Dental and 3Shape offers an intuitive workflow for patient management and brings together solutions that are tried and tested on a daily basis with users who can benefit from them.

VistaVox S – see what you need to see

3D and 2D X-ray images with exceptional image quality

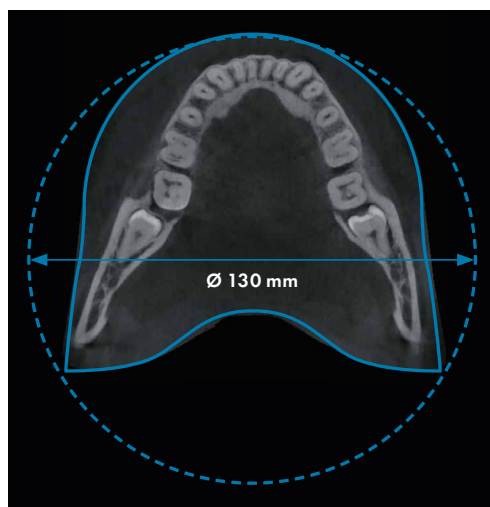
An ideal imaging volume adapted to the shape of the jaw, easy positioning and exceptional image quality – the new VistaVox S represents a milestone in the field of 3D X-ray systems. The unique technology of the VistaVox produces 3D images including everything you need for reliable diagnoses, well-founded treatment decisions and convincing patient communication. In addition, the S-Pan technology of VistaVox S also enables pinpoint-accurate OPG image acquisitions in superior Dürre Dental quality. All of these things make VistaVox S not only a highly efficient solution for dental practices, but also a safe investment.



FOV Ø 130 x 85 mm



FOV Ø 50 x 50 mm

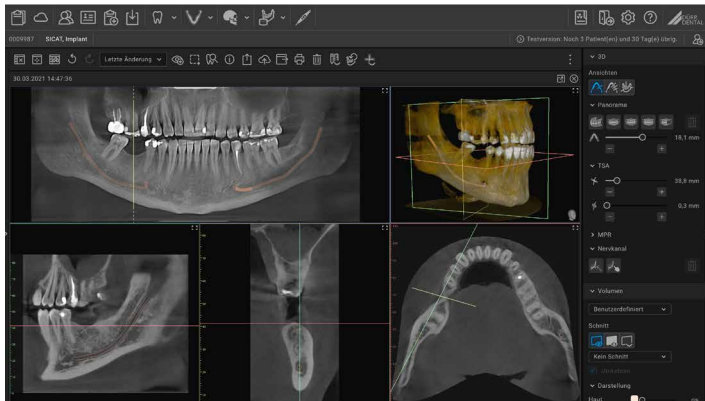


This is what counts:

- Ideal 3D imaging volume matched to the jaw arch (Ø 130 x 85 mm)
- Ø 130 x 50 mm volumes for single images of the upper and lower jaw
- Ø 50 x 50 mm volumes in 80 or 120 µm resolution
- Excellent image quality in 2D and 3D thanks to the high-resolution CsI sensor with a pixel size of 49.5 µm
- Reduced radiation dose thanks to the anatomically adapted volume
- VistaSoft – modern, ergonomic image processing software
- Additional intelligent functions (AI) in combination with VistaSoft

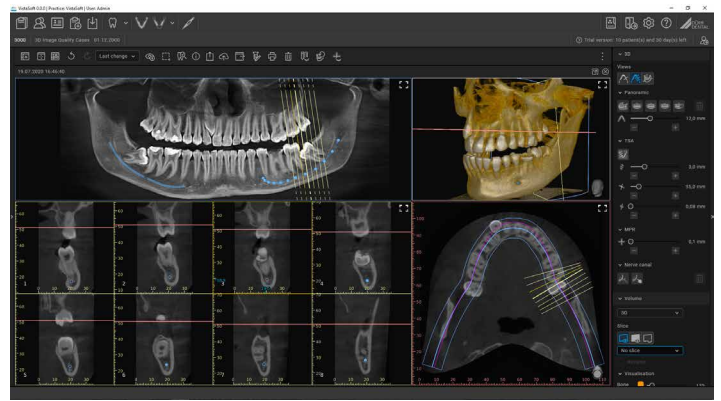
In addition to jaw-shaped images and the two additional volume sizes for the upper and lower jaw, VistaVox S offers ten further Ø 50 x 50 mm volumes: five each for the upper jaw and for the lower jaw. These are used if the indication only requires imaging of a certain region of the jaw, e.g. for endodontical or implantological treatments. Depending on the required level of detail in the image, the volumes can be used with a resolution of either 80 or 120 µm. The two additional volume sizes, Ø 130 x 50 mm upper jaw and Ø 130 x 50 mm lower jaw, ensure flexibility in day-to-day work in the practice and allow you to display the two jaws separately.

VistaSoft AI included



Panoramic display – AI-assisted

On 3D images, VistaSoft uses intelligent algorithms to adapt the calculated panoramic view to the anatomy of the patient. This displays a significantly improved OPG image, which shows the anatomy of the patient much more clearly.



AI-assisted marking of the nerve canal

The AI-assisted mandibular canal detection system automatically calculates the position of the nerve canal in three-dimensional X-ray images. On this basis the diagnostician merely needs to check the proposed position.



Ceph module option

The **VistaVox 5 Ceph** enables cephalometric exposures to be taken with scanning times of just 1.9 seconds. This helps to avoid motion artefacts and reduce the radiation dose. Two modern high-sensitivity CsI sensors ensure that the image quality reaches exceptionally high standards. This avoids the work otherwise required for unplugging and reconnecting cables between the 3D X-ray device and the Ceph boom.



VistaSoft Trace: intelligent cephalometric analysis software

With the aid of innovative and extensive tools using artificial intelligence, cephalometric analyses can be completed within a few seconds using VistaSoft Trace. This user-friendly software add-on identifies reference points and soft tissue silhouettes automatically and plots them on the X-ray image. With VistaSoft Trace, images can be easily overlaid from various stages of the treatment so that progress can be monitored.

VistaPano S 2.0 – brings colour into your practice.

Digital panoramic X-ray device with S-Pan technology

Thanks to modern CsI sensor technology and the S-Pan technology, VistaPano S 2.0 consistently delivers excellent image sharpness. Furthermore, in Quick Scan mode the device enables complete OPG imaging in just seven seconds – and this with a particularly low dose of radiation.



Simple and efficient patient positioning.



Image acquisition in standard panoramic mode.

Ceph module option

The new VistaPano S Ceph 2.0 provides an efficient X-ray solution for orthodontics and more. In addition to 2D panoramic images, it quickly creates Ceph images (in 2 seconds) with outstanding image quality and low exposure to radiation.



Cephalometric exposure head full lateral



This is what counts:

- S-Pan technology for easier diagnostics
- Outstanding image quality thanks to the latest generation of high-resolution CsI sensors
- Slim design with a small footprint
- Panoramic images scanned within 7 seconds
- Ceph images scanned within 2 seconds
- 8" glass touchscreen display for intuitive operation
- Extensive package of intelligent automation functions with VistaSoft AI

VistaIntra – perfect in both function and design

Ergonomic X-ray source for intraoral exposures



This is what counts:

- Modern, sleek design for simple and precise positioning
- Hand grip for easy and ergonomic adjustment
- Superior quality thanks to a 0.4 mm focal spot and consistent radiation emission
- Suitable for all image receptors thanks to variably adjustable mA and kV values
- Simple operating concept
- DAP (dose area product display) after exposure
- Available in 3 working lengths

Fast, high-quality image results

VistaIntra leaves the factory pre-programmed with the exact radiation dose for every tooth region required for Dürr Dental image plates and sensors. It is ready for immediate use and delivers images with perfect exposure. VistaIntra is suitable for all image receptors.

Easy operation, highly ergonomic

Thanks to the hand grip on the head of the X-ray unit, VistaIntra can be comfortably and precisely positioned. Selecting the required tooth area is also incredibly easy. The X-ray parameters can be finely adjusted where required; quick switching between two different radiation settings, e.g. for image plate and sensor, is also possible. The clear icons on the timer improve the workflow further still and reduce the risk of errors.

State-of-the-art image plate technology – made in Germany



VistaScan IQ image plate

With the new VistaScan generation with RFID function and VistaSoft AI, the VistaScan IQ image plate offers you comprehensive AI-supported functions. This makes everyday use in your practice much easier, increases user comfort and ensures consistently high image quality.

Excellent image quality with 100% active area

In contrast to intraoral sensors, with a VistaScan IQ image plate 100% of the image surface is available for diagnosis.

Automatic detection if the wrong side is exposed

The software recognises when the image plate has been exposed from the wrong side and recommends mirroring this in the software.

Automatic tooth detection

With the aid of artificial intelligence, all the teeth captured in the image are automatically detected and saved in the dental chart.

Clear patient assignment to each scanned image

Thanks to the SmartScan workflow, assigning the image to the correct patient is even easier and more reliable than before.*

Automatic recognition of the anatomical region

VistaSoft AI rotates intraoral images into the correct anatomical position.

Automatic checking of image plate quality

VistaSoft AI automatically checks the quality of the VistaScan IQ image plate and recommends a replacement, if necessary.

*Function available with VistaScan Mini View 2.0 and VistaScan Mini Easy 2.0

VistaScan Mini View 2.0 – Plug into the future

The new VistaScan Mini View 2.0 impresses not only with its futuristic design. The technology behind it is just as pioneering. The image plate scanner uses the state-of-the-art VistaScan image plates IQ to support the latest generation of AI functions.

In conjunction with the VistaScan Smart Reader, workflows are easily automated. Together with superior image quality, it makes your dental practice sustainably ready for the future.



Scanning without a PC is possible

Thanks to the standalone mode, you can also work independently of the network. Images are stored temporarily in the internal memory of the device and then transmitted to the database later on.



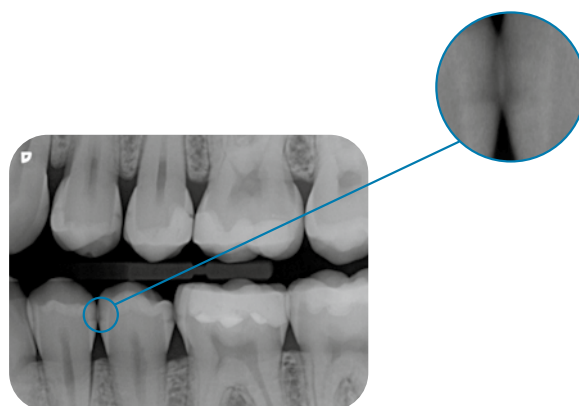
Large glass touchscreen display

The colour 5" touchscreen display provides a user interface that is very easy to use.



ScanManager – for efficient working

Scanning tasks can be sent simultaneously from different workstations to VistaScan Mini View 2.0. Select the required task on the display, carry out the scan and perform a diagnosis on the PC screen straight away.



Exceptional image quality thanks to PCS

Thanks to our PCS technology, VistaScan Mini View 2.0 can reliably highlight incipient caries lesions or make tiniest bony structures visible.

Ambient light

The LED lighting of the VistaScan Mini View 2.0 will add a nice touch of colour to your practice. You can freely choose a colour that best suits the look and feel of your interior design.





Smarter workflows with SmartScan

SmartScan Workflow uses automation to make your work more relaxed, more efficient and more reliable.



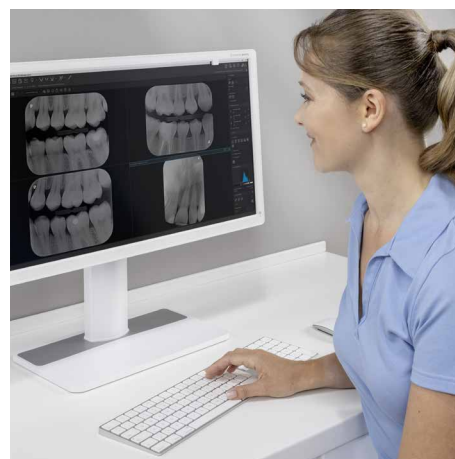
1. Assign the image plate

Use the VistaScan Smart Reader to assign an image plate to a patient in VistaSoft. This puts VistaScan Mini View 2.0 in "ready for image acquisition" mode.



2. Scan the image plate

Now scan image plates from different patients in any sequence, one after the other.



3. Assess the X-ray image

VistaSoft automatically assigns the X-ray images to the correct patients.

VistaCam iX HD Smart – the innovative interchangeable head camera

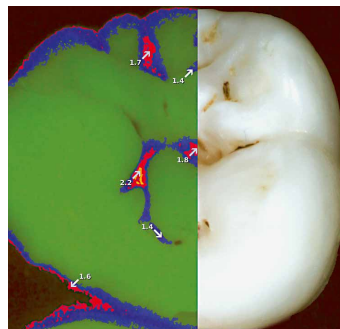
For perfect diagnosis support in real HD image quality

The outstanding HD resolution of the VistaCam iX HD Smart sets new standards for patient communication, caries diagnosis and documentation. With an integrated sharpness filter and infinitely variable autofocus, the camera delivers images of the highest brilliance and sharpness. The slim head also enables easy access to the rear molars.

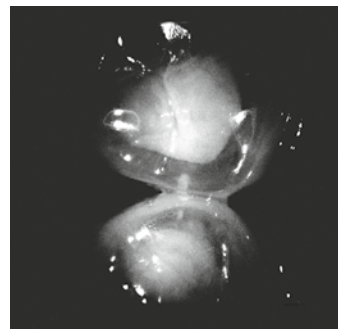
In combination with the intelligent interchangeable head mechanism, the camera system will provide you with reliable support – both in the diagnosis and early detection of caries, as well as in plaque visualisation. At the same time, it makes your treatment recommendations easier for patients to understand.



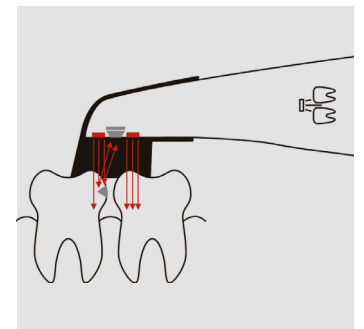
Cam image, Macro



Proof image



Proxi image



Caries lesions reflect the infrared light.

Photos and live videos in HD

Pinpoint-accurate HD images – regardless of whether you need intraoral, extraoral or macro images.

Visualisation of carious areas

In the image created with the Proof interchangeable head (left), further evidence for the the caries diagnosis can be reliably identified. In this example, the early-stage caries (blue) and deep enamel caries (red) are easy to spot.

Gentle and early detection of proximal caries

Reliability for your patients – the Proxi interchangeable head provides reliable support in the early detection of proximal caries. The advantage: diagnostic support without exposure to radiation, particularly for children and pregnant women. The images can be saved directly in the patient database, where they can be used to monitor treatment success (e.g. remineralisation or spread of caries).



This is what counts:

- Brilliant HD image quality for images and live videos
- Autofocus for intraoral, extraoral and macro images
- Software evaluation to detect carious lesions and display plaque (Proof interchangeable head)
- Diagnostic aid for detection of proximal caries (Proxi interchangeable head)

Intelligent interchangeable head system

Cam interchangeable head



Proof interchangeable head



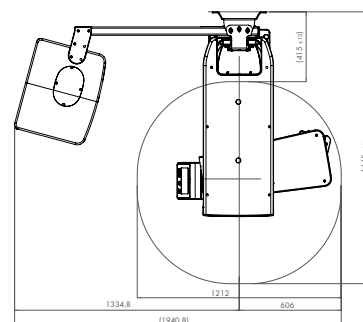
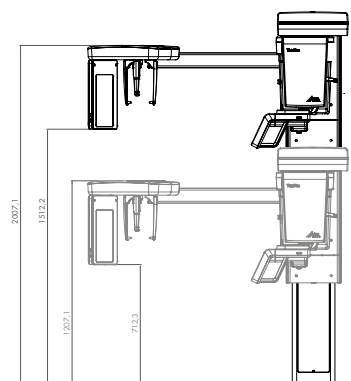
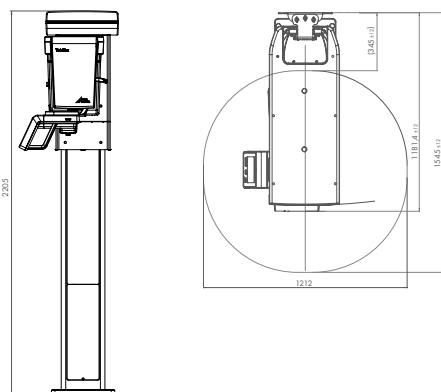
Proxi interchangeable head



The technology at a glance

| VistaVox S | |
|--|---------------------------|
| X-ray HV generator | |
| Voltage (kV), current (mA) | 50 - 99, 4 - 16 |
| Rated power (kW) | 1.6 |
| Tube | |
| Focal spot (mm) | 0.5 (IEC60336) |
| Total filtration (mm) | 2.8 AL |
| Image detector | |
| Type | CsI CMOS photodiode array |
| Pixel size (µm) | 49.5 |
| Active sensor surface area (mm) | 135.8 x 36.4 |
| Scan times | |
| Scanning times (seconds) | From 2 to 18 |
| Ceph programmes | |
| Pano and Ceph programs | |
| Panorama programs | 17 |
| Image acquisition programs for children* | 4 |
| Ceph image acquisition programs | |
| Magnification factor | |
| 2D images | 1.26 |
| 3D volume | |
| | Ø 130 x 85 mm diagnostic |
| | Ø 130 x 70 mm diagnostic |
| | Ø 50 x 50 mm |
| Unit dimensions | |
| Height (mm) | 1,406 - 2,206 |
| Weight (kg) | 180 |
| Height adjustment range (mm) | 800 |
| Width x depth (mm) | 1,212 x 1,545 |
| Installation | Wall mounting |
| Electrical connection | |
| Mains voltage (V AC) | 200 - 240 |
| Frequency (Hz) | 50/60 |
| Rated power | 170 W, 2.2 kVA max. |

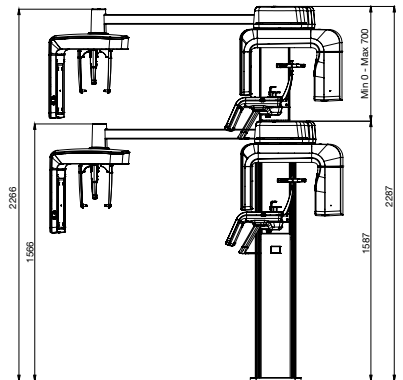
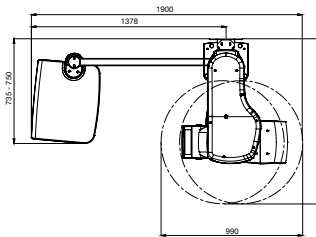
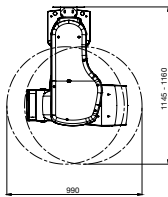
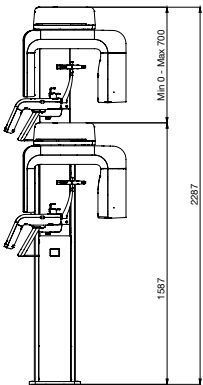
| VistaVox S Ceph | |
|---|---------------------------|
| X-ray HV generator | |
| 60 - 99, 4 - 16 | |
| 1.6 | |
| Tube | |
| 0.5 (IEC60336) | |
| 2.8 AL | |
| Image detector | |
| CsI CMOS photodiode array | CsI CMOS photodiode array |
| 49.5 | 100 |
| 135.8 x 36.4 | 157.2 x 16.3 |
| Scan times | |
| From 2 to 18 | |
| Lateral head images in quick scan mode: 1.9 seconds (line scan) | |
| Pano and Ceph programs | |
| 17 | |
| 4 | |
| 6 | |
| Magnification factor | |
| 1.26 | 1.15 |
| 3D volume | |
| Ø 130 x 85 mm diagnostic | |
| Ø 130 x 70 mm diagnostic | |
| Ø 50 x 50 mm | |
| Unit dimensions | |
| 1,406 - 2,206 | |
| 202 | |
| 800 | |
| 1,941 x 1,615 | |
| Installation on a wall or standing on feet (optional foot with wall installation) | |
| Electrical connection | |
| 200 - 240 | |
| 50/60 | |
| 170 W, 2.2 kVA max. | |



* Image acquisition programs for children: for children and adolescents from the age of 7.

| VistaPano S 2.0 | |
|------------------------------|---|
| X-ray HV generator | |
| Voltage, current | 60 - 99,4 kV - 16 mA |
| Tube | |
| Focal point | 0.5 mm (IEC60336) |
| Total filtration | 2.5 mm Al eq. |
| Image detector | |
| Type | CsI:TI sensor |
| Pixel size | 100 µm |
| Active sensor surface area | 6 x 151.2 mm |
| Frame rate | 287 fps |
| Scan times | |
| Scan times | Pano from 2.4 to 13.5 sec |
| Panorama programs | Panorama X-ray image of adults in Quick Scan mode: 7.2 sec. |
| Magnification factor | |
| Magnification factor | 1.3 |
| Unit dimensions | |
| Maximum height | 2287 mm |
| Weight (without/with foot) | 112.5/158 kg |
| Height adjustment range | 700 mm |
| Width x depth x height | 990 x 1160 x 2287 mm |
| Installation | Wall or foot mounting |
| Electrical connection | |
| Mains voltage | 200-240 VAC |
| Frequency | 50/60 Hz |
| Rated power | 2.2 kVA |

| VistaPano S Ceph 2.0 | | |
|------------------------------|--|-----------------|
| X-ray HV generator | | |
| Voltage, current | 60 - 99,4 kV - 16 mA | |
| Tube | | |
| Focal point | 0.5 mm (IEC60336) | |
| Total filtration | 2.5 mm Al eq. | |
| Image detector | | |
| Type | CsI:TI sensor | CsI:TI sensor |
| Pixel size | 100 µm | 100 µm |
| Active sensor surface area | 6 x 151.2 mm | 15.6 x 259.2 mm |
| Frame rate | 287 fps | 109 fps |
| Scan times | | |
| Scan times | Pano from 2.4 to 13.5 sec | |
| Ceph programmes | Lateral head radiograph in Quick Scan mode: 1.9 sec. | |
| Magnification factor | | |
| Magnification factor | 1.3 | 1.14 |
| Unit dimensions | | |
| Maximum height | 2287 mm | |
| Weight (without/with foot) | 134.8/180.3 kg | |
| Height adjustment range | 700 mm | |
| Width x depth x height | 1900 x 1160 x 2287 mm | |
| Installation | Wall or foot mounting | |
| Electrical connection | | |
| Mains voltage | 200-240 VAC | |
| Frequency | 50/60 Hz | |
| Rated power | 2.2 kVA | |



The technology at a glance

| VistaIntra DC | |
|-------------------------------|------------------------------|
| Input power | AC 100 - 240 V 10%, 50/60 Hz |
| Power consumption (W) | 500 |
| Tube voltage (kVp) | 60 - 70 |
| Tube current (mA) | 4 - 7 |
| Tube length (mm) | 200 (300 optional) |
| Radiation field limiting (mm) | Ø 60/30x40 (20x30 optional) |
| Exposure time (seconds) | 0.04 - 2 |
| Focal spot (mm) | 0.4 (IEC 336) |
| Total filtration (mm) | Min. 2.0 Al |
| Weight (kg) | 24.4 / 26.4 / 28.4 |
| Height (mm) | 1730 |
| Max. working length (mm) | 1810 / 1960 / 2260 |

| VistaScan Mini View 2.0 | |
|-------------------------------------|-----------------------|
| Display | 5" colour touchscreen |
| Plate sizes | S0, S1, S2, S3, S4 |
| Effective resolution (LP/mm, dpi) | 40 (2,000) |
| Theoretical resolution (LP/mm, dpi) | 40 (2,000) |
| Weight (kg) | Approx. 5 |
| Dimensions (H x W x D mm) | 273 x 211 x 258 |
| Stand-by functions | Yes |
| Interfaces | LAN, WLAN |

| VistaScan Combi View | |
|-------------------------------------|--|
| Display | 4.3" touchscreen, 800 x 480 pixels, 16.7 million colours |
| Plate sizes | S0, S1, S2, S3, S4 |
| Intraoral formats (cm) | 2 x 3 / 2 x 4 / 3 x 4 / 2.7 x 5.4 / 5.7 x 7.5 |
| Panorama formats (cm) | 12.7 x 30.5 / 15 x 30 |
| Ceph formats (cm) | 18 x 24 / 20 x 24 with VistaScan Omni View: 24 x 30 |
| Effective resolution (LP/mm, dpi) | 22 (1,100) |
| Theoretical resolution (LP/mm, dpi) | 40 (2,000) |
| Greyscale (bit) | 16 (65,536) |
| Weight (kg) / installation | 24 / table-mounted; wall-mounting optional |
| Dimensions (H x W x D mm) | 720 x 380 x 380 |
| Interfaces | LAN, WLAN |

VistaCam iX HD Smart

| | |
|-------------------------------|--|
| Connections | USB 2.0 (USB 3.0 compatible) |
| Multi-user application | Plug & play |
| Activation | Via button located on handpiece (top and bottom, vibrates when pressed) |
| Handpiece weight (g) | 70 |
| Handpiece length (mm) | 200 |
| Cable length (m) | 2.5 m (can be extended up to 19 m via active holder with USB hub and repeater cable) |
| Power supply | USB (5V) |
| Sensor | High performance CMOS Sensor |
| Driver | Uses standard Windows drivers, NO additional drivers needed |
| Resolution (pixels) | 1280 (H) x 1024 (V) |
| Illumination | 2 LEDs each for: Cam (white), Proof (405 nm, violet), Proxi (850 nm, infrared) |
| Optical system | Lenses with protective glass, infinitely variable autofocus |

System requirements for VistaSoft (from version 2.0)

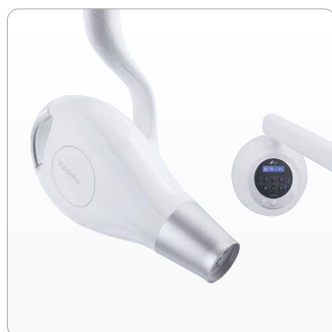
| | |
|---------------------------|--|
| CPU | ≥ Intel Core i3 |
| RAM (GB) | ≥ 4 |
| Operating systems | Microsoft Windows 7 (Home Premium or above), SP1 and additionally update KB3033929, recommended: KB2921916 Microsoft Windows 8.1 (not Windows RT) Microsoft Windows 10 (Pro or higher) Microsoft Windows Server 2012 Microsoft Windows Server 2016 |
| Hard disk | Workstation (without database) ≥ 50 GB The database memory requirements depend on the number of images taken at the surgery in question. (Camera image: approx. 1 MB / X-ray image: approx. 2 MB - 10 MB / CBCT: 200 - 300 MB) |
| Drive | DVD ROM |
| Data backup | Daily data back-up |
| Interface | Ethernet ≥ 100 Mbit |
| Graphics card | Minimum resolution ≥ 1280 x 1024 Colour depth 32-bit, 16.7 million colours Recommended for 3D X-ray images: NVIDIA GeForce 750 2 GB |
| Diagnostic monitor | In accordance with DIN 6868-157, room category 5 or 6 (depending on the requirements) |
| Notes | Data migration from an existing DBSWIN installation is possible in VistaSoft from DBSWIN 5.11. VistaSoft Implant & Guide in conjunction with exocad GmbH. |

Want to know more?

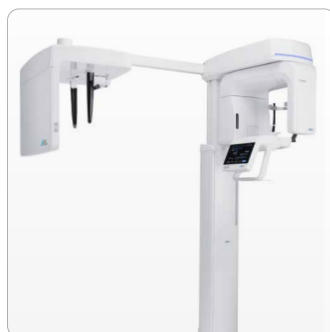
» www.duerrdental.com



VistaScan



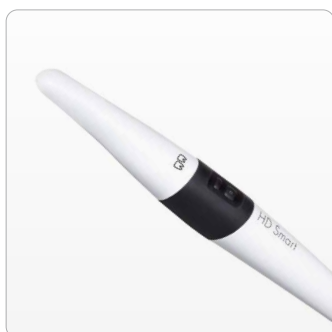
VistaIntra



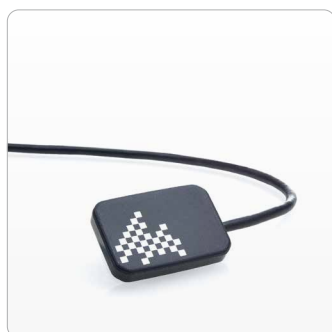
VistaPano



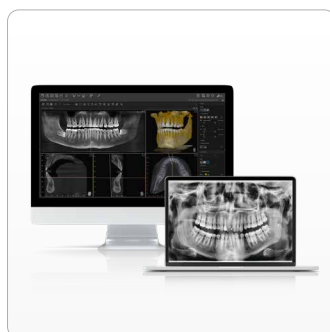
VistaVox



VistaCam



VistaRay



VistaSoft



Accessories