

VistaPano S 2.0 and VistaPano S Ceph 2.0 – Efficiency in a new light.

The perfect combination of design and image quality



VistaPano S 2.0

Digital panoramic X-ray device with S-Pan technology



With the VistaPano S 2.0, Dürr Dental has set a new standard in the resolution of extraoral images. The 2D panoramic X-ray device also impresses with its simple operation and a consistently well thought-out workflow, which is supported by an innovative 8" glass touch display. The excellent imaging performance of VistaPano S 2.0 is thanks to two innovative technologies. Firstly, the state-of-the-art Csl sensor technology delivers improved picture quality and thus facilitates significantly improved diagnostics. Secondly, S-Pan technology uses the image information from the individual patient image to automatically create a pinpoint-sharp panoramic image of every tooth and jaw position in the 3D space.

With the quick scan mode, a complete OPG image can be scanned in an extremely short time of just 7 seconds – which keeps the X-ray dose particularly low.

This is what counts:

- S-Pan technology for easier diagnostics
- Outstanding image quality thanks to the latest generation high-resolution Csl sensor
- Slim design with a small footprint
- Panoramic images scanned within 7 seconds
- 8" glass touch display for intuitive operation
- Extensive package of intelligent automation functions with VistaSoft AI

VistaPano S Ceph 2.0

Improved efficiency – reduced radiation exposure



With the new VistaPano S Ceph 2.0, fast cephalometric images can be taken with outstanding image quality – and with the lowest possible radiation exposure. This is all thanks to the extremely short scanning time of just 1.9 seconds, which also reduces the risk of motion blur. A combination of low X-ray dose and short scanning time is particularly advantageous for younger orthodontics patients.

The two high-end CsI sensors – for panoramic X-ray and Ceph functions – that are already integrated in the unit eliminate the time-consuming task of changing the sensor and the risk of damage this otherwise entails. All this makes VistaPano S Ceph 2.0 the perfect X-ray solution for orthodontic treatment and for oral & maxillofacial surgery.

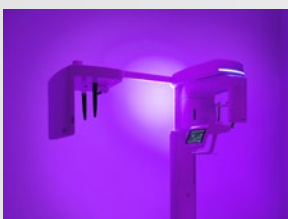
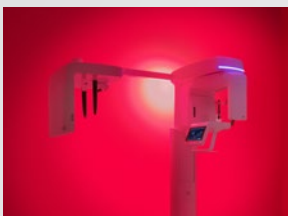
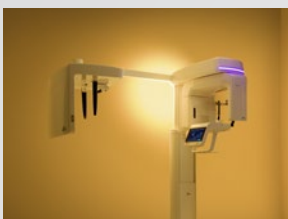
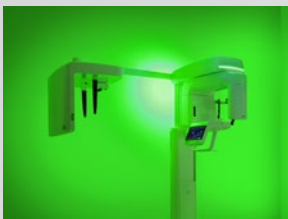
In addition, VistaPano S Ceph 2.0 also offers all the functions and advantages of VistaPano S.

This is what counts:

- Ceph images scanned within 2 seconds
- Excellent image quality
- Low radiation dose
- With two high-end, state-of-the-art CsI sensors integrated in the unit, there is no need to change the sensor
- Height-adjustable on the Ceph side
- Comfortable to use, as no secondary aperture is needed

VistaPano S 2.0 – Bringing colour into your practice.

Ambient light in countless colour moods will keep your patients calm and relaxed.



All functions at a glance

The intuitive 8" glass touch display makes operation even more user-friendly. It displays all settings ,crystal-clear'. To start with, simply select the required X-ray programme and the correct patient size – this prevents operating errors and ensures that the workflow is optimised.

Panoramic X-ray programs

With a total of 17 X-ray programs, you are perfectly equipped for every diagnostic requirement. In addition to the standard panoramic program, VistaPano S 2.0 also offers:

- Half-side recordings of right, left and front
- 4 child programs: an acquisition mode with a smaller exposure area and a 45–56% reduction in dose without any loss of diagnostic information
- 5 programs for orthogonal X-ray images
- 2 programs for temporomandibular imaging
- 2 programs for sinus X-ray images to display paranasal sinuses



Simple and efficient patient positioning

Three laser guide lines mark the exact orientation of the Frankfurt horizontal plane, median sagittal plane and film plane. Positioning without a mirror ensures personal eye contact and facilitates communication with the patient.

Bite block for increased sharpness

With the comfort bite block, the VistaPano S 2.0 offers even more stable positioning of the patient and minimises the risk of patient movement. The wide and soft support ensures comfortable positioning - even for edentulous patients.



S-Pan technology: Extremely sharp, high resolution images for reliable diagnoses



In contrast to the conventional method, S-Pan technology automatically selects the image areas that best represent the patient's individual anatomy from a large number of parallel slices. When the panoramic image is pieced together, deviations from the 'average dentition' are taken into account, as is the individual inclination of the teeth.

The result is an image of impressive clarity, in which the dentist can locate all relevant structures effortlessly. Since the reconstruction is aligned to the actual position of the bite, incorrect positioning is compensated for to a certain extent. This saves time and the need to take repeat images.

VistaPano S Ceph 2.0 – faster, clearer results

Highest quality – with low radiation exposure.

Short scanning time, low X-ray dose, excellent image quality

- No need for a secondary aperture – which means improved comfort for practitioners and patients
- Height-adjustable on the Ceph side as well
- Fast scan mode: 1.9 seconds



Head Lateral L



Head PA



SMV (submentovertex)



Waters View



Hand (Carpus)

Optimised workflow

VistaPano S Ceph 2.0 is equipped with two high-end CsI sensors. As a result, there is no need for the time-consuming process of unplugging and reconnecting between the panoramic X-ray device and the Ceph unit. To start Ceph recording, all you need to do is select the corresponding program mode.



Ceph X-ray programs

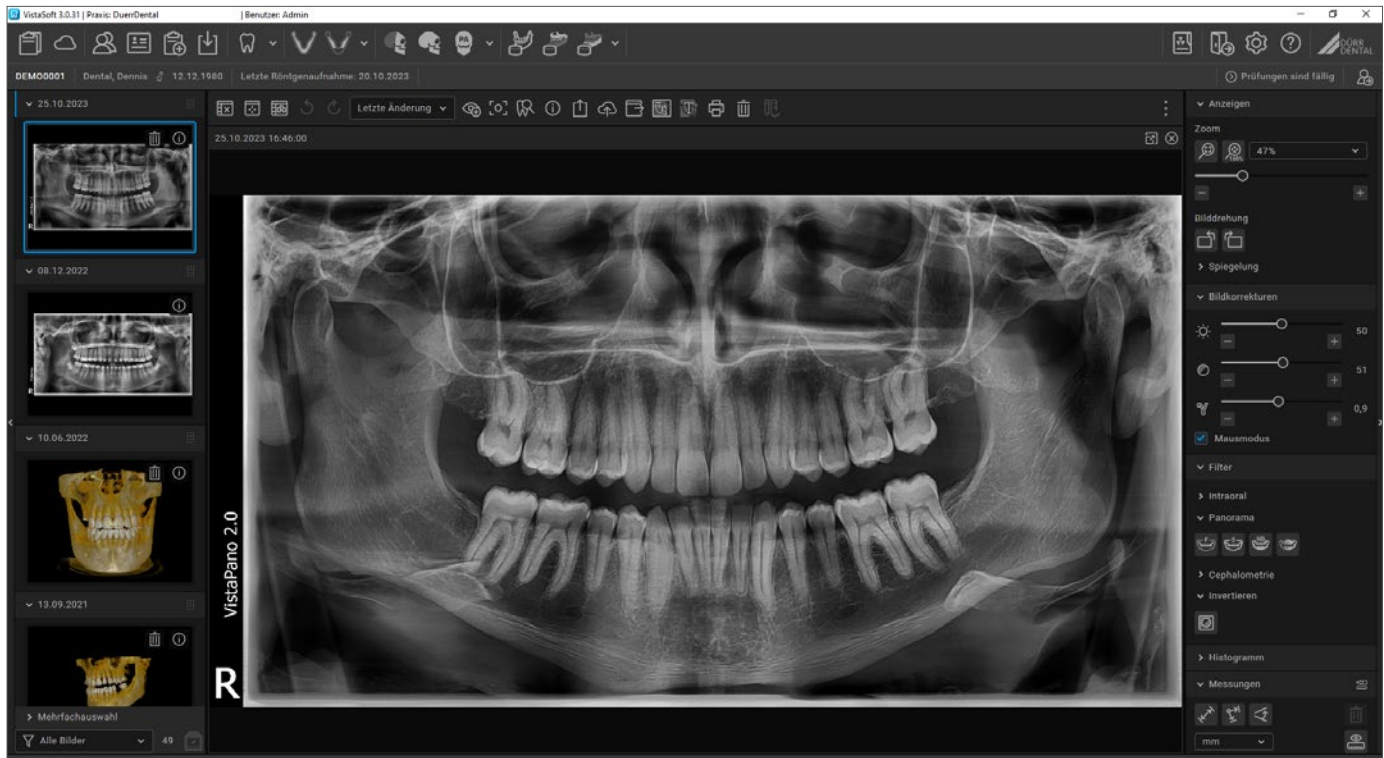
In addition to the 17 panoramic programs already available, programs for all cephalometric exposure modes are now also included:

- Head Lateral L
- Head Full Lateral
- Head PA
- SMV (submentovertex)
- Waters View
- Hand



VistaSoft: simple workflow, intuitive working

VistaSoft is a particularly comfortable and efficient solution for the capture, editing and display of digital 2D and 3D X-ray images.



VistaSoft is intuitive to operate and opens up additional options for reliable diagnostics. Images can be edited using digital filters that adjust the contrast and sharpness of the X-ray image to assist the diagnosis. The network-capable software supports the export of DICOM data as well as various interfaces to commonly used practice management software packages. The new design of VistaSoft has been optimised for professional diagnostics so that it offers you the best possible support. Thanks to the one-click principle, the software is quick and easy to operate – all the functions you need on a daily basis are just a single mouse click away. This will make your work faster than ever before.

Easy image comparisons on the light table

VistaSoft enables the reproduction of video, X-ray and 3D images on a shared digital light table. This allows you to consult images from different sources in your diagnostics. All 3D views can be rotated and tilted for optimum alignment. With the aid of a 'navigation head', which always displays the current position, orientation is very simple in the different views. All notes created in each layer can be quickly located with the aid of a list: with just one click, the view will jump to the corresponding layer, dispensing with the need for laborious searches.

Easy working – without limits

VistaSoft is network capable and compatible with all current X-ray, scanner and camera systems from Dürr Dental. Thanks to VistaSoft MobileConnect and the optional 'Imaging App', the image data can be called up at any time on an iPad.

VistaSoft – key features:

- One-click principle – all main functions are only a mouse click away
- Self-explanatory icons for intuitive handling
- Ergonomic design with simple and well thought-out workflows for efficient operation
- Modern saving concept – changes are saved automatically
- Easy to draw the nerve channel into the image



View images online and offline with VistaSoft Cloud View

Whether for intraoral, extraoral or CBCT images – the VistaSoft Cloud View app allows you to easily view dental images from all sources in a web browser – even without an Internet connection. In the process, you can use all the familiar tools and views you already know from VistaSoft. For demonstration purposes you can also edit and temporarily adjust the images. Of course, all of this works across different platforms – independently of the software used to generate the images.

View 3D images without a dedicated CBCT device

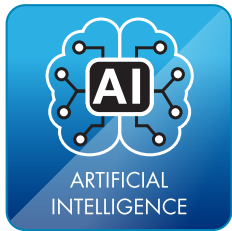
Every new X-ray unit is supplied with a full 3D X-ray licence for VistaSoft, which allows you to view 3D image data and perform diagnoses – even without a dedicated CBCT device. Numerous interfaces are provided for effortless connection to software solutions from third-party providers to allow seamless integration in your existing practice management systems.

Free database conversion

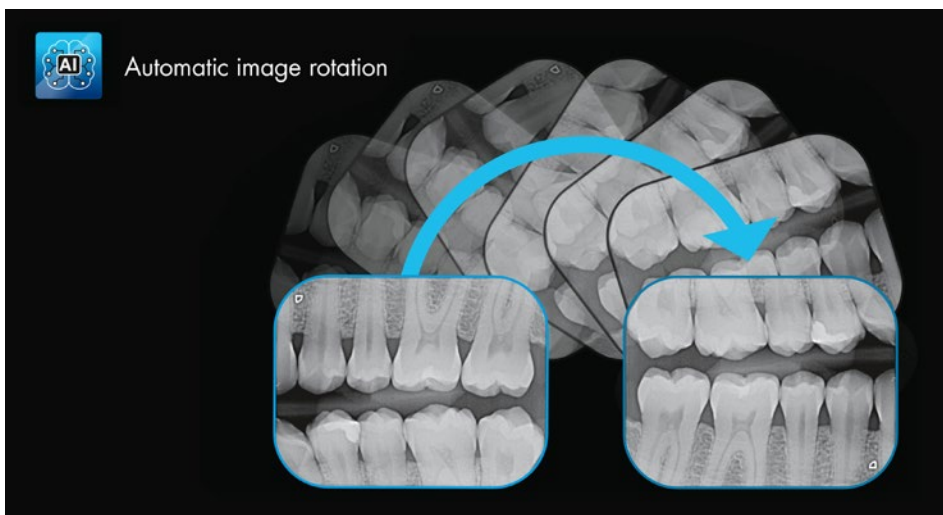
When you purchase a new X-ray unit for your digital practice, in addition to VistaSoft we will also provide you with a free database conversion from your old software to our current imaging software. More information is available here:



VistaSoft AI included



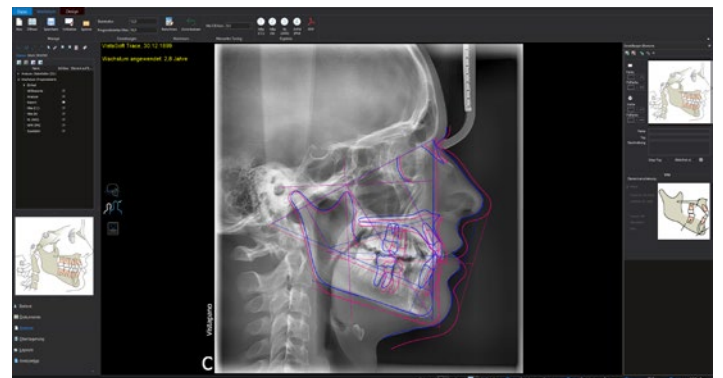
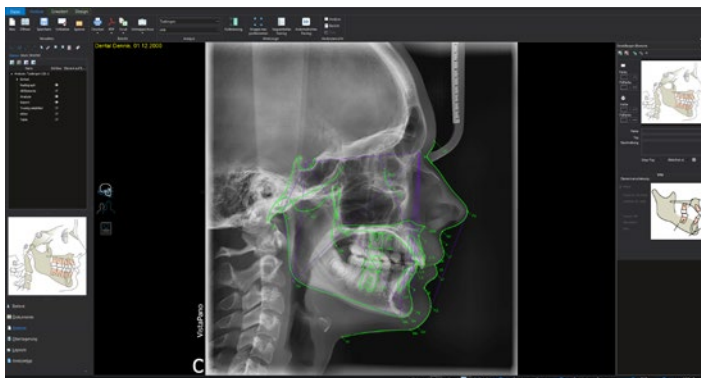
With the VistaSoft package you will gain access to powerful AI features that will not only make your day-to-day work in the practice noticeably more effective, but will also significantly increase the reliability of diagnostic work ahead of complicated procedures.



Automatic image rotation

The imaging software uses an algorithm based on artificial intelligence to check the orientation of intraoral X-ray images based on the anatomical features shown and corrects the rotation of the image automatically if needed. This will save you valuable time.

VistaSoft Trace

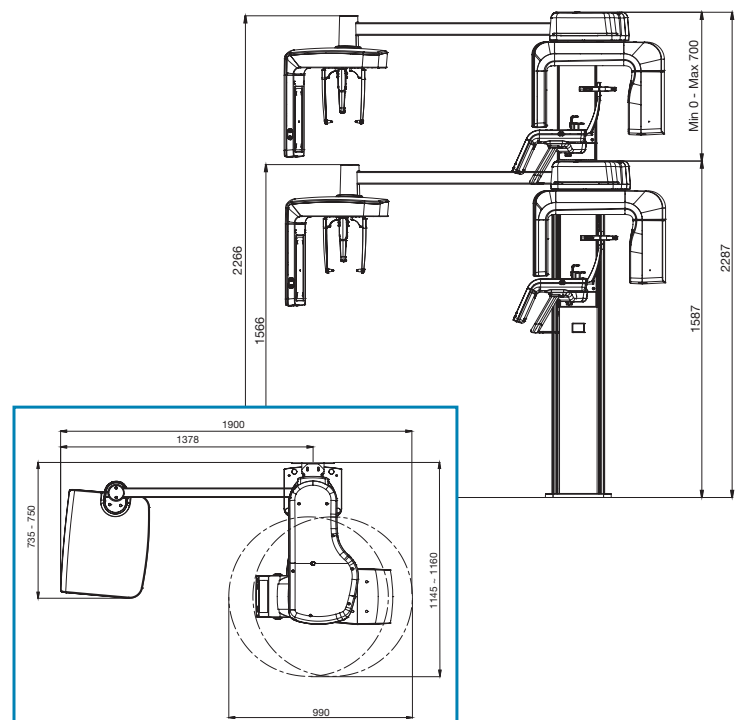
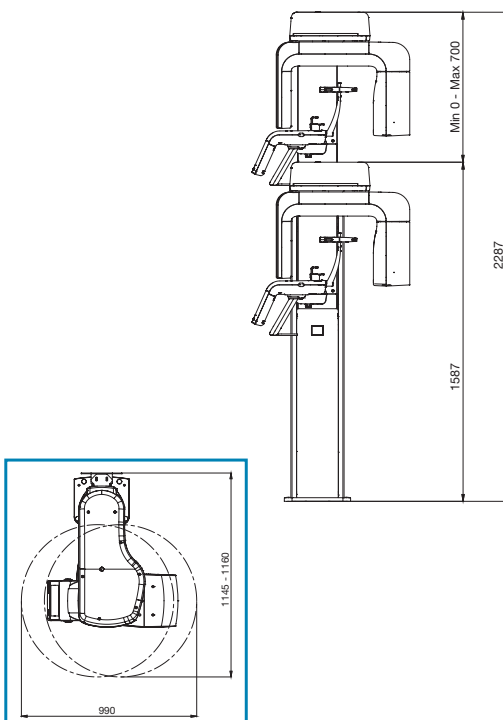


With the aid of innovative and extensive tools using artificial intelligence, cephalometric analyses can be completed within a few seconds using VistaSoft Trace. This user-friendly software add-on identifies reference points and soft tissue silhouettes automatically and plots them on the X-ray image. With VistaSoft Trace, images can be easily overlaid from various stages of the treatment so that progress can be monitored. In addition, the software also offers the option of simulating and displaying treatments based on planning data. In this way, the potential success of a course of treatment can be illustrated even before work gets under way.

Facts and figures at a glance

VistaPano S 2.0	
X-ray HV generator	
Voltage, current	60 - 99 kV, 4 - 16 mA
Tube	
Focal point	0.5 mm (IEC60336)
Total filtration	2.5 mm Al eq.
Image detector	
Type	CsI:TI sensor
Pixel size	100 µm
Active sensor surface area	6 x 151.2 mm
Frame rate	287 fps
Scan times	
Scan times	Pano from 2.4 to 13.5 sec
Panorama programs	Panorama X-ray image of adults in Quick Scan mode: 7.2 sec.
Magnification factor	
Magnification factor	1.3
Unit dimensions	
Maximum height	2287 mm
Weight (without/with foot)	112.5/158 kg
Height adjustment range	700 mm
Width x depth x height	990 x 1160 x 2287 mm
Installation	Wall or foot mounting
Electrical connection	
Mains voltage	200-240 VAC
Frequency	50/60 Hz
Rated power	2.2 kVA
Laser Class	
Laser Class	1

VistaPano S Ceph 2.0		
X-ray HV generator		
Voltage, current	60 - 99 kV, 4 - 16 mA	
Tube		
Focal point	0.5 mm (IEC60336)	
Total filtration	2.5 mm Al eq.	
Image detector		
Type	CsI:TI sensor	CsI:TI sensor
Pixel size	100 µm	100 µm
Active sensor surface area	6 x 151.2 mm	15.6 x 259.2 mm
Frame rate	287 fps	109 fps
Scan times		
Scan times	Pano from 2.4 to 13.5 sec	
Ceph programmes	Lateral head radiograph in Quick Scan mode: 1.9 sec.	
Magnification factor		
Magnification factor	1.3	1.14
Unit dimensions		
Maximum height	2287 mm	
Weight (without/with foot)	134.8/180.3 kg	
Height adjustment range	700 mm	
Width x depth x height	1900 x 1160 x 2287 mm	
Installation	Wall or foot mounting	
Electrical connection		
Mains voltage	200-240 VAC	
Frequency	50/60 Hz	
Rated power	2.2 kVA	
Laser Class		
Laser Class	1	



Want to know more?

>> www.duerrdental.com



VistaScan



VistaIntra



VistaPano



VistaVox



VistaCam



VistaRay



VistaSoft



Accessories



DÜRR DENTAL SE
Höpfigheimer Str. 17
74321 Bietigheim-Bissingen
Germany
www.duerrdental.com
info@duerrdental.com

 **DÜRR
DENTAL**
THE BEST, BY DESIGN